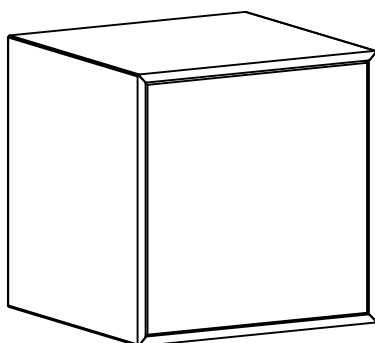
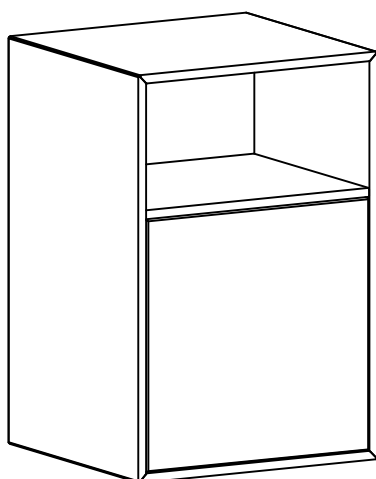


## Door - Tür - Porte - Puerta - Deur - Porta - Låge

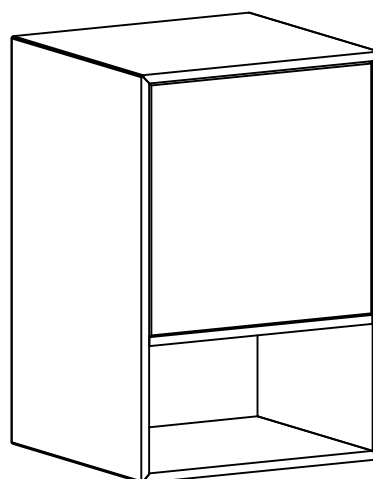
---



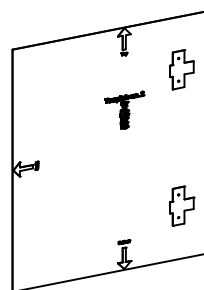
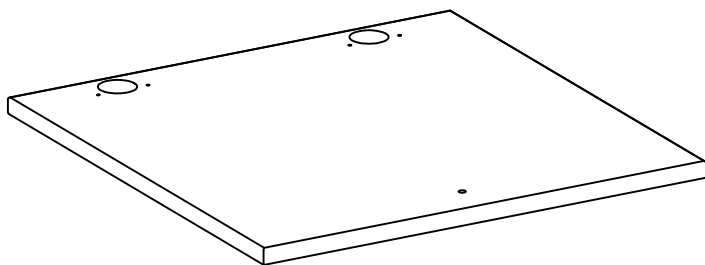
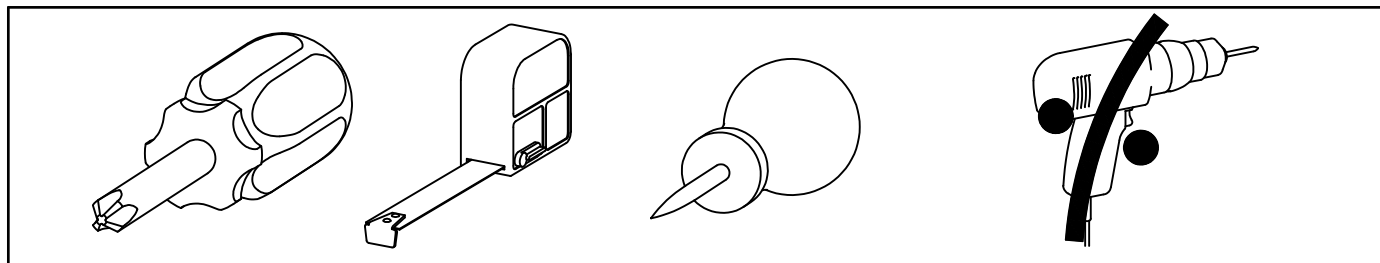
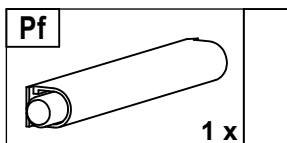
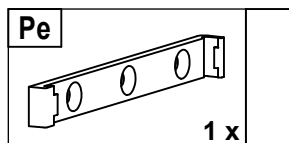
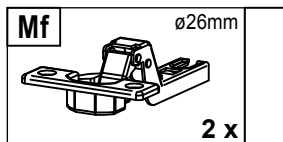
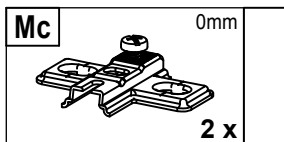
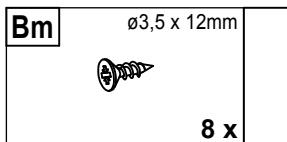
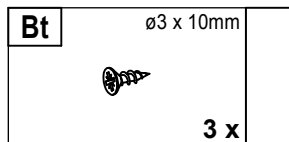
Template no. 2  
Place against the bottom  
Mark E



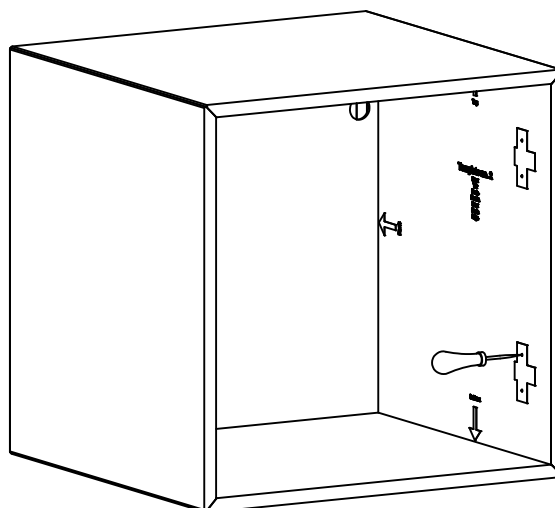
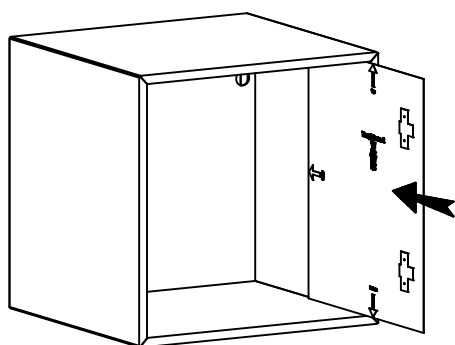
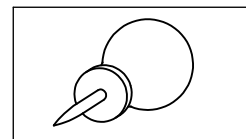
Template no. 2  
Place against the bottom  
Mark E  
+  
Template no. 3  
Place against the bottom  
Mark K



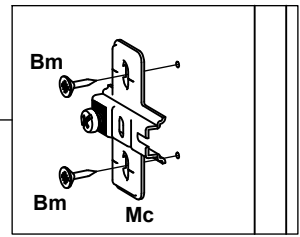
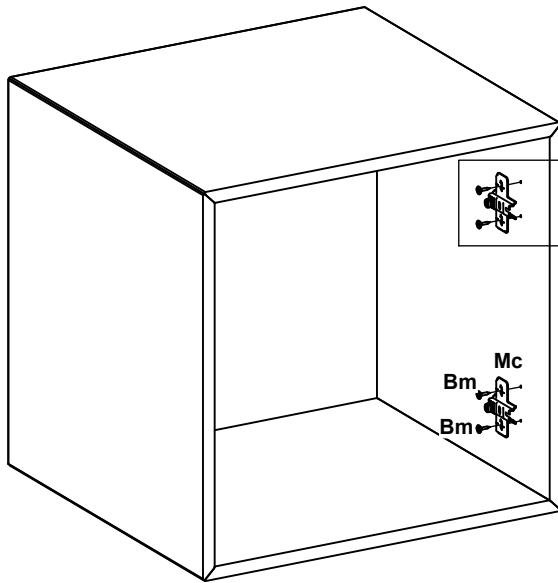
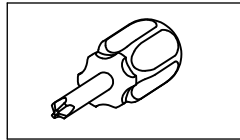
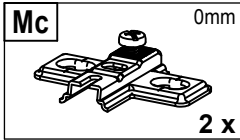
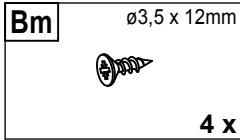
Template no. 2  
Place against the top  
Mark E  
+  
Template no. 3  
Place against the bottom  
Mark J



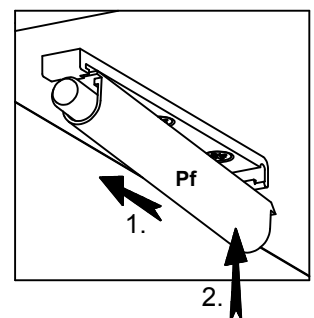
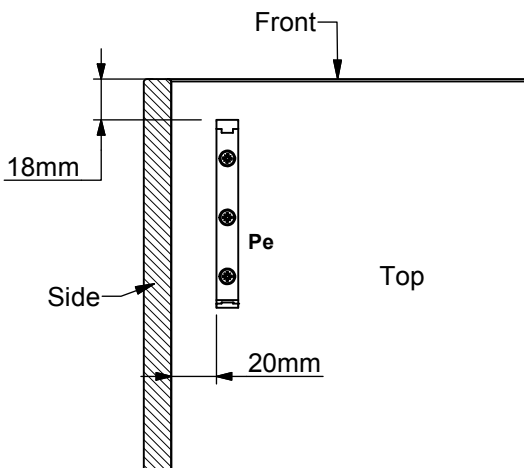
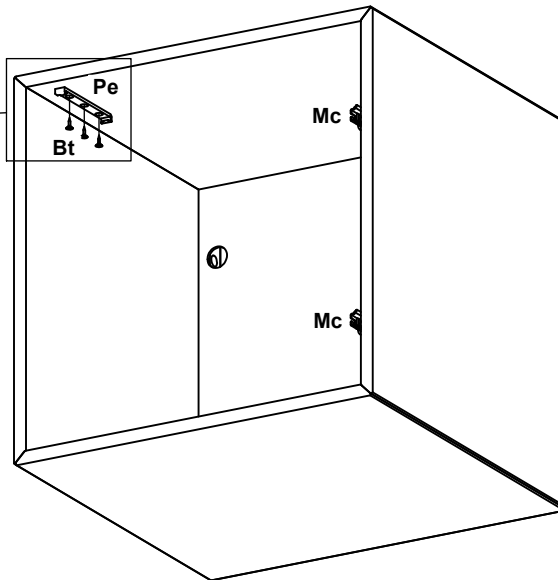
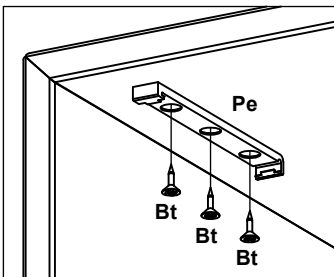
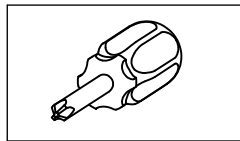
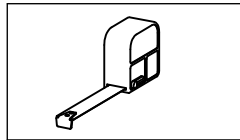
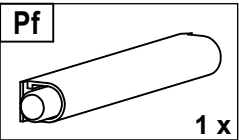
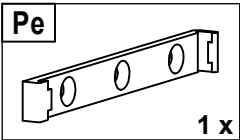
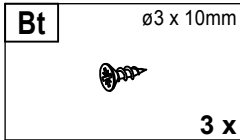
**1**



**2**



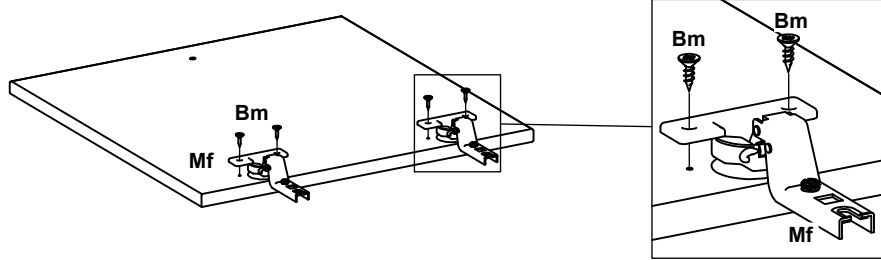
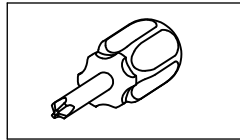
**3**



4

**Bm**  $\varnothing 3,5 \times 12\text{mm}$   
4 x

**Mf**  $\varnothing 26\text{mm}$   
2 x



5

